

Mountfield

STAINLESS STEEL LADDERS



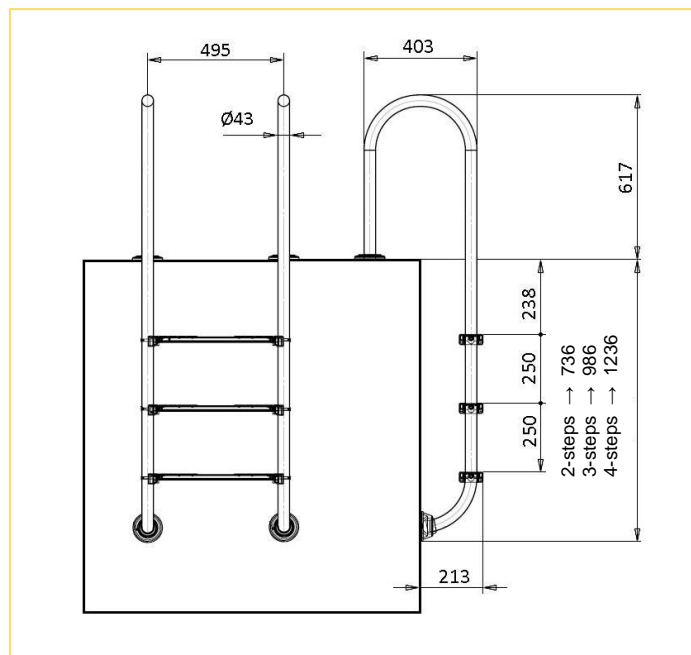
Made in Czech Republic

STAINLESS STEEL LADDERS

Top-selling ladder. Manufactured of stainless steel tube **AISI 304** with diameter **43 mm**, thickness **1.2 mm**, shiny polished finish. Safety stainless steel steps with plastic anti slipping protection. Ladders are delivered with an anchor point in plastic for in-grounding connection, stainless steel anchoring point on a special demand.

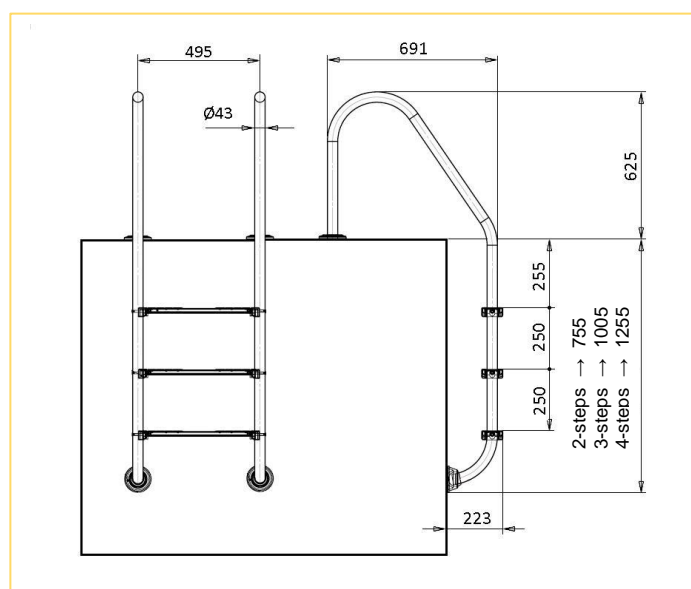
SLIM ladders

Item no.		Weight / 1pcs	Size of box	Pcs on a palette
3EXX0080	2 - steps	8 kg	45 x 137 x 10 cm	18
3EXX0081	3 - steps	10 kg	45 x 161 x 10 cm	18
3EXX0082	4 - steps	11 kg	45 x 187 x 10 cm	18



STANDARD ladders

Item no.		Weight / 1pcs	Size of box	Pcs on a palette
3EXX0083	2 - steps	11 kg	73 x 139 x 10cm	12
3EXX0084	3 - steps	12 kg	73 x 163 x 10 cm	12
3EXX0085	4 - steps	13 kg	73 x 189 x 10 cm	12



Anchoring
for in-ground
connection
included



Stainless steel
anchoring point
optional